



# Non-ZIF Connector and Cable System

Non-ZIF with Pullforce Locking  
Series FPC-96PF / FPC-98PF

## Series FPC-96PF / FPC-98PF Non-ZIF with Pullforce Locking

### Advantages:

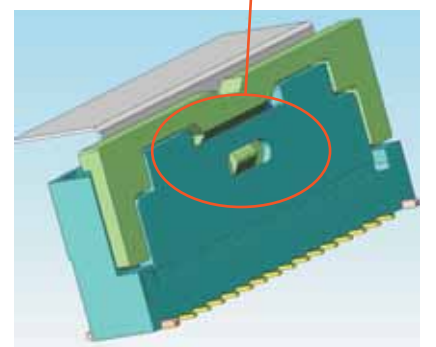
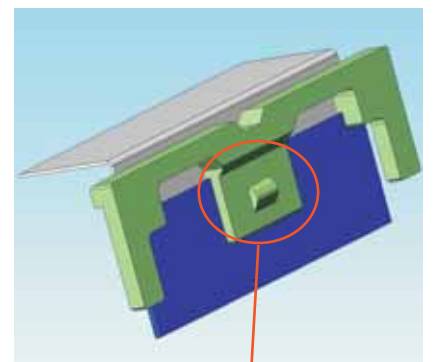
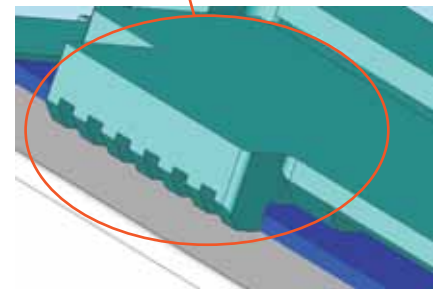
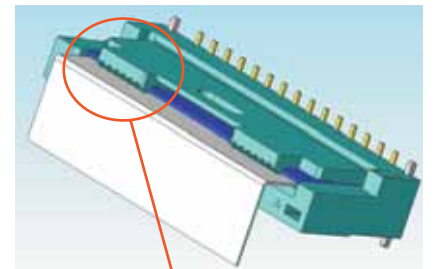
- New design for an easy, quick and secure assembly for a Board-to-cable solution “One-push lock” system
- Use of standard FFC/FPC with supporting tape  
Optional use of an additional stiffener
- Pitches: 0.5 and 1.0mm
- 90° and 180° versions
- Various pin counts available

### Functionality of locking mechanism:

- Lock mechanism by use of small hooks at the Board connector
- The hooks lock the FFC/FPC behind the supporting tape
  - Use of standard FFC/FPC under compliance of certain tolerances
    - Supporting Tape: 4.5mm +/- 0.5mm
    - Bared length: 3.0mm +/- 0.5mm

### Optional use of an additional stiffener

- The design of the additional stiffener avoids wrong insertion
- Optimized security during the plugging, e.g. at strong vibrations
- Yamaichi Electronics offers the complete assembly of the FFC/FPC with the additional stiffener



# Non-ZIF Connector and Cable System

## Series FPC-96PF / FPC-98PF Non-ZIF with Pullforce Locking

### Features:

	Pitch 0.5mm	Pitch 1.0mm
Temp. Range	-40°C until +105°C	
Solder Connection	SMT	
Solder Process	Reflow	
Mating cycles	Minimum 10	
Contact Plating	Gold Flash	Tin
Voltage Rating	50V DC	125V DC
Current Rating	0.5A	1A
Packaging	Tape & Reel (180° version with Pick&Place cap)	

### Coding Product Numbers:

FPC	-XXPF	-XX	-S	X	-X	X	R
Serie	Pitch	Pin Count	Connection	Orientation	Plating: Mating Area	Plating Termination Area	Packaging
	96 = 1.0mm 98 = 0.5mm	12 14 etc.	S = SMT	1 = 180° 9 = 90°	F = Gold flash L = Sn	F=Gold flash L=Sn	R= Tape &Reel

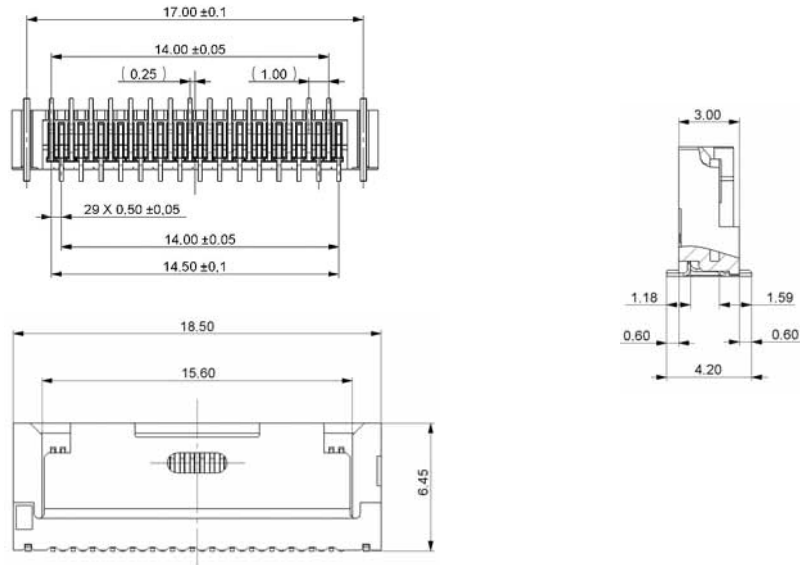
### Product Line Status:

Board-Connector			
Number	Orientation	Pitch	Pin Count
FPC-96PF-xx-S1-xx-R	180°	1.0mm	12-30 Pins
FPC-96PF-xx-S9-xx-R	90°	1.0mm	12-30 Pins
FPC-98PF-xx-S9-FF-R	90°	0.5mm	30 Pins

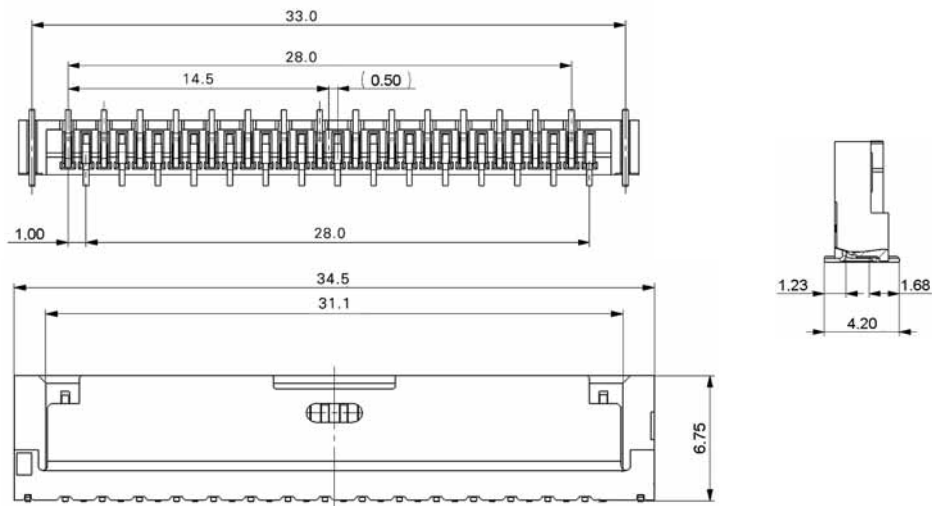
Further pin counts available on request.

Additional stiffeners are available on request

## Example Outline Dimensions for FPC-98PF-30-S1-FF-R



## Example Outline Dimensions for FPC-96PF-30-S1-xx-R



## Example Outline Dimensions for FPC-96PF-30-S9-xx-R

