

KLW35-2B032M

High power CONSTANT CURRENT LED power supply

This product is a single, AC-DC conversion mode of constant current LED power supply. The product specifications are designed by the relevant safety regulations and EMC Compliance specifications standard .Use of wired mounting.



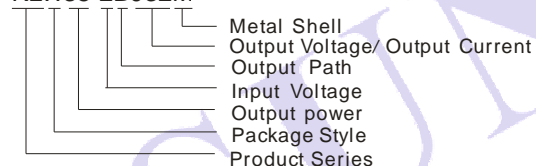
RoHS IP67

PRODUCT FEATURES

1. AC input(185-305VAC)
2. Constant Current Output(320±20mA)
3. Under-voltage Protection, Over-voltage Protection and Short Circuit Protection
4. High Efficiency(87%,min)
5. High Power Factor(> 0.94)
6. IP Rating: IP67
7. Lightning Protection: Level 4
8. metal shell

MODEL SELECTION

KLW35-2B032M



PRODUCT PROGRAM

Part Number	Input Voltage	Output		Efficiency(% ,min.)
	Normal (VAC)	Voltage(VDC)	Current(mA)	
KLW35-2B032M	220-277	40-88	320±20	87

INPUT SPECIFICATIONS

Input voltage range	185-305VAC, 47-55Hz	
Power factor	220Vac	>0.94
	230Vac	>0.93
	245Vac	>0.92
AC input current	@185Vac	0.5A max.
Inrush Current	any part and the fuse shall not burn at Instantaneous power	
AC input under-voltage protection	<185Vac	Products will not damage

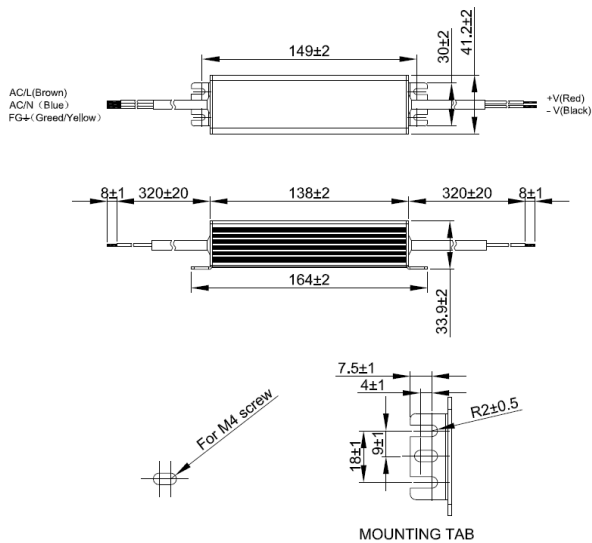
OUTPUT SPECIFICATIONS

Output current	Current Range	320±20mA
Output voltage	Voltage adjustment range	40~88VDC
Output power	Min. power	12 W
	Max. power	28W
Start-up time	@full &normal AC input	0.5S max.
Overvoltage protection	@output 83V(typ.)	95V(typ.)protection
Short circuit protection	When output is being shorted, power supply will latch off. To restart, AC must be turned on again.	

OTHER SPECIFICATIONS

Temperature	Operating shell temperature		-40°C ~ +80°C (TC)
	Storage temperature		-40°C ~ +85°C
Humidity	Operating humidity		10% ~ 90% RH
	Storage humidity		5% ~ 99% RH
EMC Compatibility	Surge	IEC61000-4-5	Line-line 2KV, Line-ground 4KV
	EMI	EN55015	Conducted emission Test & Radiated emission Test with 3 dB margin
Safety Standards	Leakage current	0.5mA max. @100~277Vac/50~60Hz	
	Insulation Impedance	>50MΩ @ 25°C, 45-70%Rh, 500VDC	Input-Output;
	Lightning	IEC-61000-4-5	Level 4
MTBF	@230Vac, full, shell temperature 80°C, work 50, 000h, failure rate <1%		
Weight	About 350 g		
Waterproof	IP67 Rated		

OUTLINE DIMENSIONS & PIN CONNECTIONS



Unit: mm

PACKAGE DIAGRAM



Inner packaging dimensions:
L*W*H=355*190*93mm
Packaging quantity: 10PCS

Outer packaging dimensions:
L*W*H=405*380*305mm
Packaging quantity: 60PCS

Note:

- All specifications measured at Ta=25°C, humidity<75%, nominal input voltage and rated output load unless otherwise specified.
- In this datasheet, all the test methods of indications are based on corporate standards.

MORNSUN Science & Technology Co.,Ltd.

Address: No. 5, Kehui St. 1, Kehui development center, Science Ave., Guangzhou Science City, Luogang district, Guangzhou, P.R.China.

Tel: 86-20-28203030

Fax: 86-20-28203068

[Http://www.mornsun-power.com](http://www.mornsun-power.com)